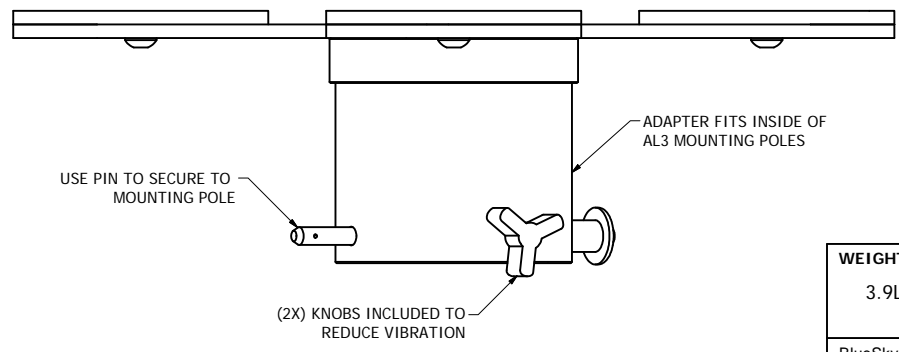


3 POWDER COATED
CARBON STEEL DISKS

REFERENCE VIEW
7" LANYARD NOT SHOWN FOR CLARITY



USE PIN TO SECURE TO
MOUNTING POLE

ADAPTER FITS INSIDE OF
AL3 MOUNTING POLES

(2X) KNOBS INCLUDED TO
REDUCE VIBRATION

FRONT VIEW
LANYARD NOT SHOWN FOR CLARITY

WEIGHT	3.9Lbs / 1.8Kg
BlueSky Mast, Inc. 1515 Gunn Hwy Odessa, FL 33556 www.blueskymast.com sales@blueskymast.com	
Phone: 877-411-6278 CAGE: 3JWX5	

BLUESKY MAST <i>elevating solutions</i> SM	
TITLE TOP PLATE-AL3-G2, MAGNETIC	
PART NUMBER	REV
BSM3-A-M325-MAG-00A	1
(c) Copyright 2005-13 Allendale, LLC All Rights Reserved. This specification is subject to change without notice. DRAWING SCALE NONE. DIMENSIONS IN INCHES.	
SHT 1 OF 1	