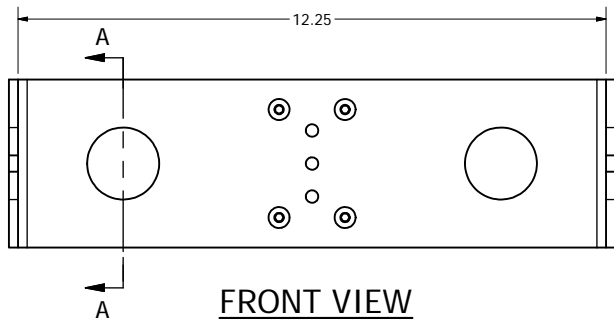
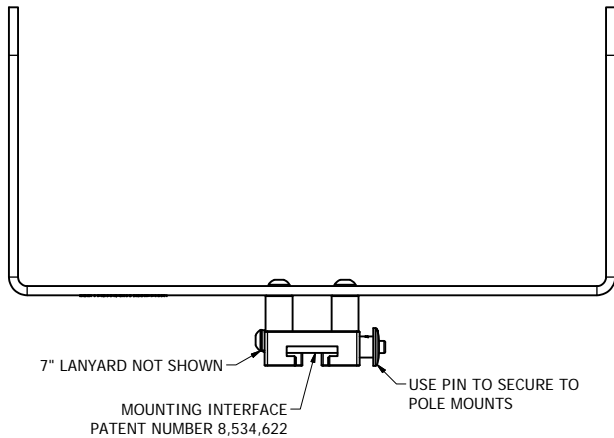


SECTION A-A  
SAME BOTH SIDES

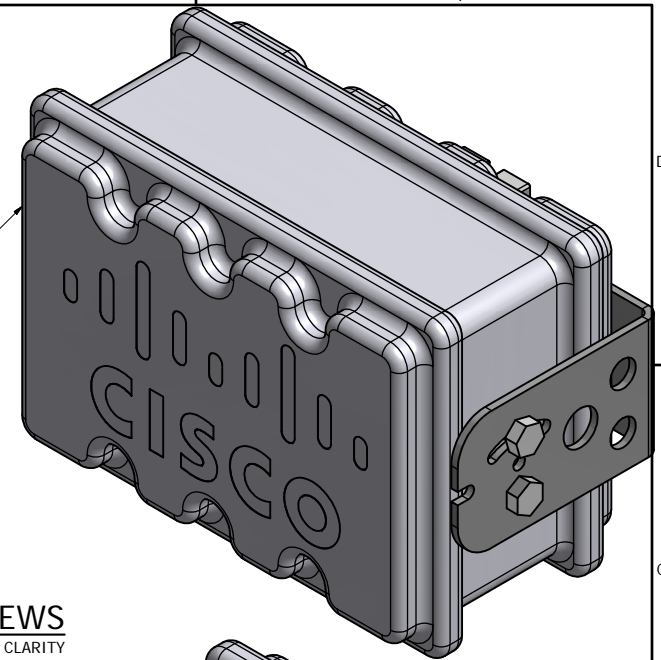


FRONT VIEW



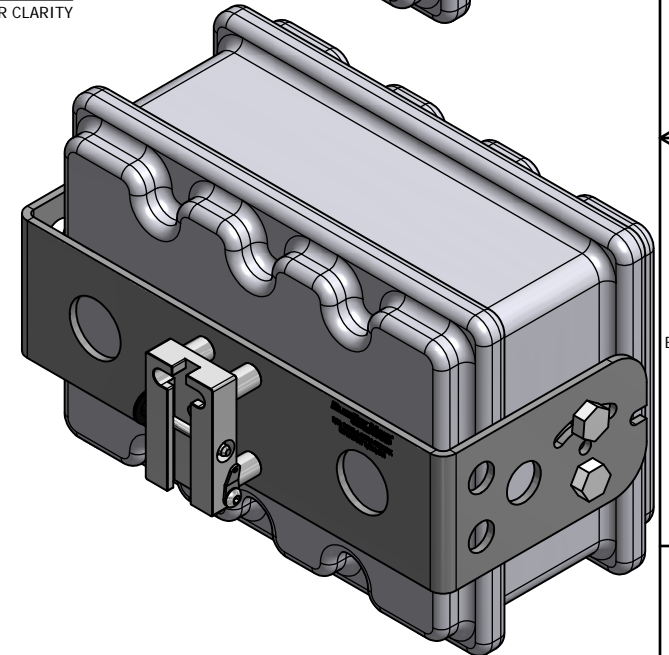
7" LANYARD NOT SHOWN  
MOUNTING INTERFACE  
PATENT NUMBER 8,534,622  
USE PIN TO SECURE TO  
POLE MOUNTS

CISCO AIRONET AND HARDWARE  
REPRESENTED FOR REFERENCE



REFERENCE VIEWS

7" LANYARD NOT SHOWN FOR CLARITY



**WEIGHT**  
1.8Lbs / 0.8Kg

BlueSky Mast, Inc.  
1515 Gunn Hwy  
Odessa, FL 33556  
www.blueskymast.com  
sales@blueskymast.com

Phone: 877-411-6278  
CAGE: 3JWX5

**BLUESKY MAST**<sup>®</sup>  
elevating solutions<sup>SM</sup>

<b>TITLE</b> PLATE BRACKET-UNIVERSAL-CISCO AIRONET 1520 SERIES		<b>REV</b> 1
<b>PART NUMBER</b> BSM2-A-M524-CSC-BRK		
(c) Copyright 2005-13 Allendale, LLC All Rights Reserved. This specification is subject to change without notice. DRAWING SCALE NONE. DIMENSIONS IN INCHES.		