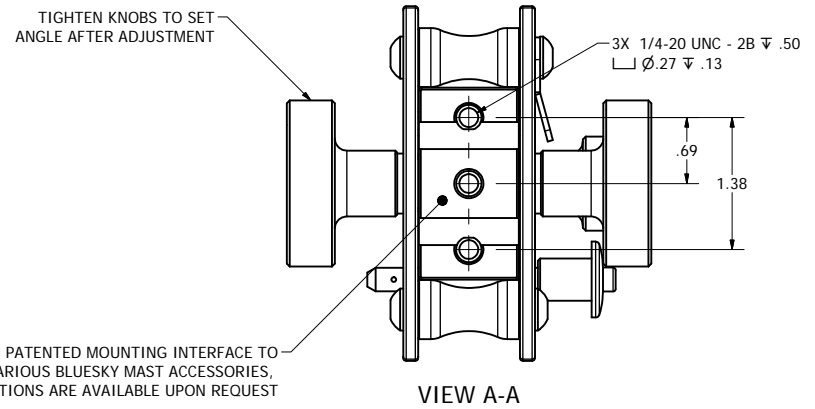


**REFERENCE VIEWS**  
LAYARDS NOT SHOWN FOR CLARITY



PATENTED MOUNTING INTERFACE TO ATTACH VARIOUS BLUESKY MAST ACCESSORIES. CUSTOM MOUNTING SOLUTIONS ARE AVAILABLE UPON REQUEST

<p><b>WEIGHT</b> 1.0Lbs / 0.5Kg</p>	<p><b>BLUESKY MAST®</b> <i>elevating solutions</i>™</p>	
<p>BlueSky Mast, Inc. 1515 Gunn Hwy Odessa, FL 33556 www.blueskymast.com sales@blueskymast.com</p> <p>Phone: 877-411-6278 CAGE: 3JWX5</p>	<p><b>TITLE</b> BRACKET-UNIVERSAL-TILT</p> <p><b>PART NUMBER</b> <b>BSM2-P-A349-BRK-000</b></p> <p>(c) Copyright 2005-13 Allendale, LLC All Rights Reserved. This specification is subject to change without notice. DRAWING SCALE NONE. DIMENSIONS IN INCHES.</p>	
	<p><b>REV</b> <b>1</b></p>	<p><b>SHT 1 OF 1</b></p>