

6X Ø.36 THRU

2X 4.25

7.16

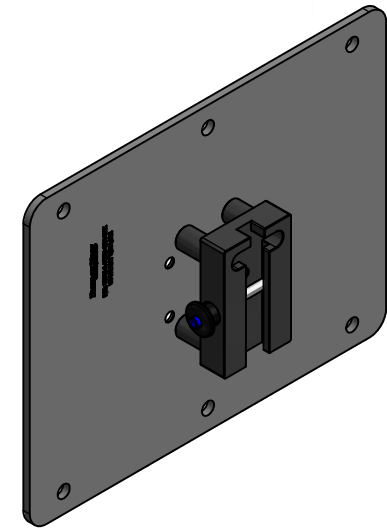
FRONT VIEW

.19 STK

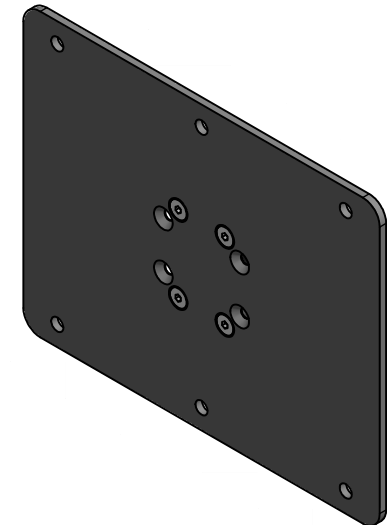
7" LANYARD NOT SHOWN

MOUNTING INTERFACE
PATENT NUMBER 8,534,622

USE PIN TO SECURE TO
POLE MOUNTS



REFERENCE VIEWS
LANYARD NOT SHOWN FOR CLARITY



WEIGHT
2.0Lbs / 0.9Kg

BlueSky Mast, Inc.
1515 Gunn Hwy
Odessa, FL 33556
www.blueskymast.com
sales@blueskymast.com

Phone: 877-411-6278
CAGE: 3JWX5

BLUESKY MAST[®]
*elevating solutions*SM

TITLE
PLATE BRACKET-UNIVERSAL-C2M2 TRANSCEIVER

PART NUMBER
BSMU-A-M525-C2M-BRK

REV
1

(c) Copyright 2005-13 Allendale, LLC All Rights Reserved. This specification is subject to change without notice. DRAWING SCALE NONE. DIMENSIONS IN INCHES.

SHT 1 OF 1