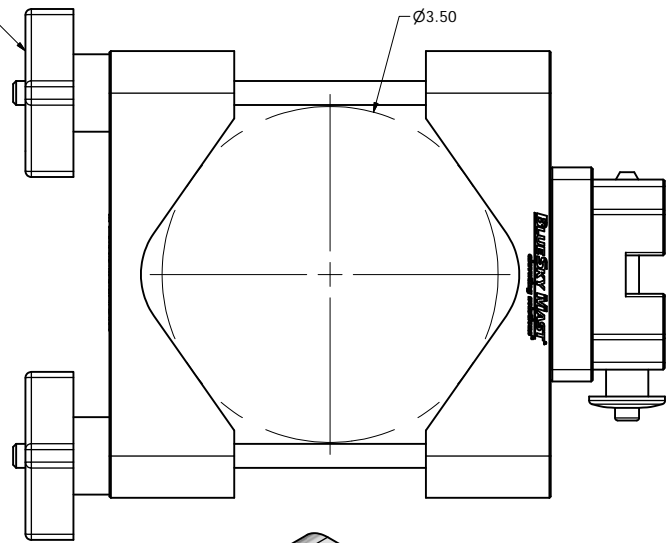
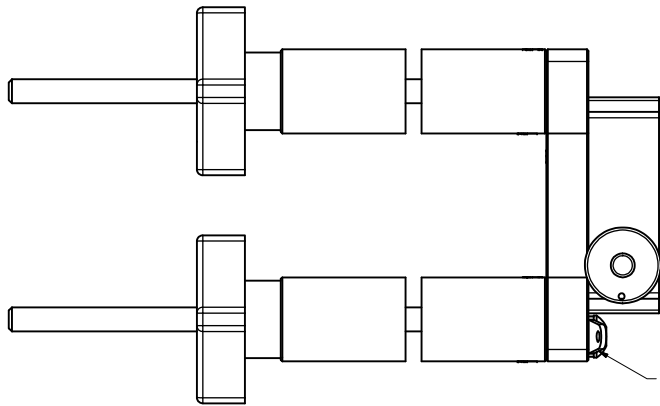


TIGHTEN AND LOOSEN KNOBS TO SECURE ANTENNAS WITH DIAMETERS FROM 2" TO 3.5"

USE PIN TO SECURE TO POLE MOUNT

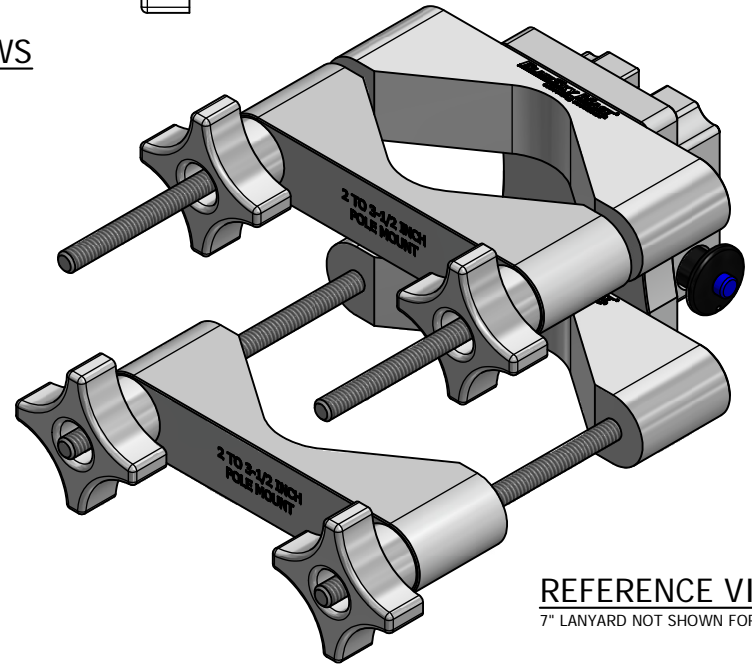


OVERHEAD VIEWS



MOUNTING INTERFACE
PATENT NUMBER 8,534,622

7" LANYARD NOT SHOWN FOR CLARITY



REFERENCE VIEW
7" LANYARD NOT SHOWN FOR CLARITY

WEIGHT
2.2Lbs / 1.0Kg

BlueSky Mast, Inc.
1515 Gunn Hwy
Odessa, FL 33556
www.blueskymast.com
sales@blueskymast.com

Phone: 877-411-6278
CAGE: 3JWX5

BLUESKY MAST® <i>elevating solutions™</i>	
TITLE BRACKET-UNIVERSAL-OMNI ANTENNA 2 TO 3.5 OD	
PART NUMBER BSMU-P-A350-OMN-BRK	
REV 1	
(c) Copyright 2005-13 Allendale, LLC All Rights Reserved. This specification is subject to change without notice. DRAWING SCALE NONE. DIMENSIONS IN INCHES.	
SHT 1 OF 1	