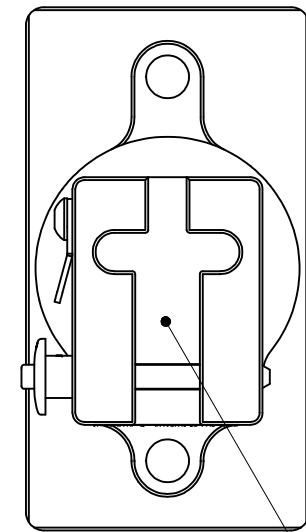
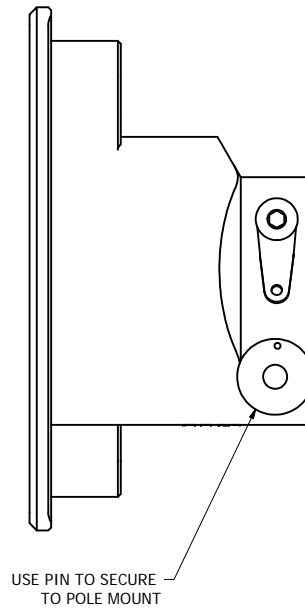


FRONT VIEW

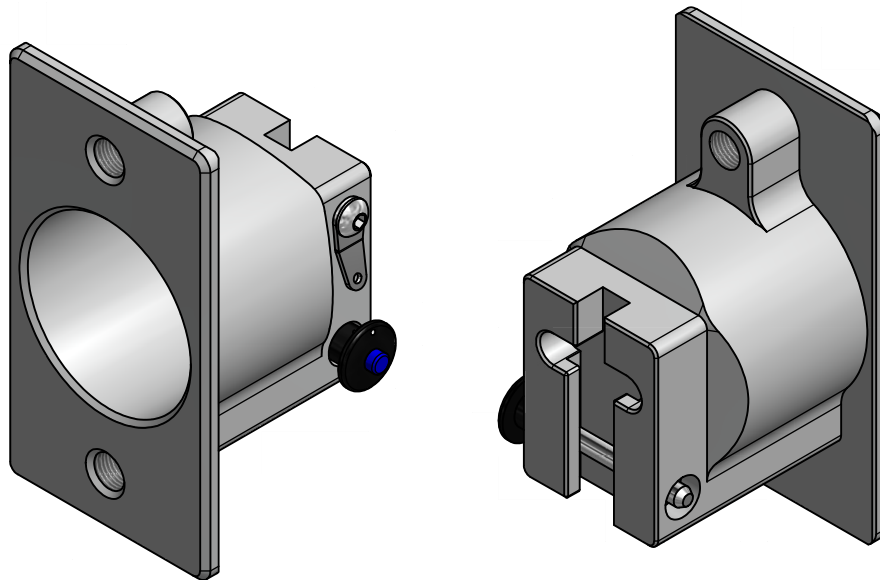
AS COMMONLY PLACED
LANYARD NOT SHOWN



REAR VIEW

AS COMMONLY PLACED
LANYARD NOT SHOWN

PATENTED INTERFACE
SLIP ONTO POLE MOUNTS



REFERENCE VIEWS

7" LANYARD NOT SHOWN FOR CLARITY

WEIGHT
1.1Lbs / .5Kg

BlueSky Mast, Inc.
1515 Gunn Hwy
Odessa, FL 33556
www.blueskymast.com
sales@blueskymast.com

Phone: 877-411-6278
CAGE: 3JWX5

BLUESKY MAST®
elevating solutions™

TITLE
BRACKET-UNIVERSAL-XIRRUS XR4000, OUTDOOR ENCLOSURE

PART NUMBER
BSMU-P-A400-XR4-BRK

REV
1

(c) Copyright 2005-13 Allendale, LLC All Rights Reserved. This specification is subject to change without notice. DRAWING SCALE NONE, DIMENSIONS IN INCHES.

SHT 1 OF 1