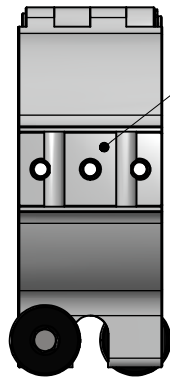


TIGHTEN KNOBS TO SECURE TO MAST

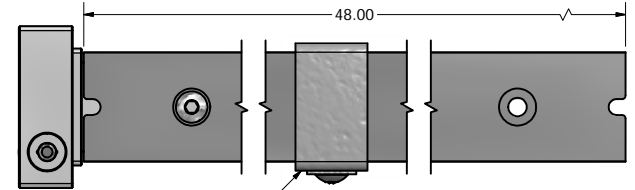
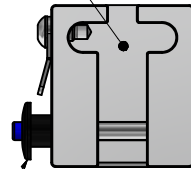
FITS AROUND AL3 MAST POLES

BSM3-P-A352-T00-000
POLE MOUNT-AL3-TWO WAY



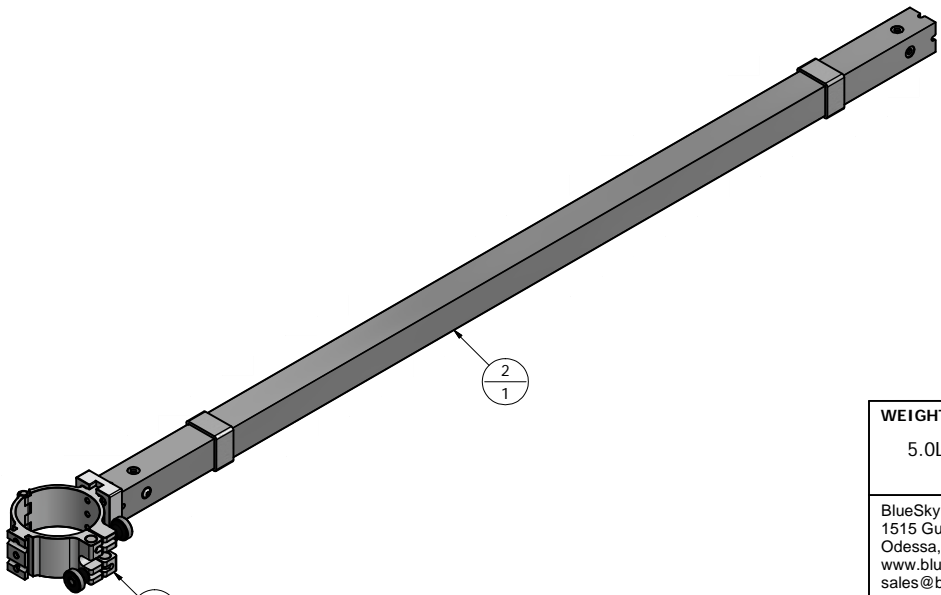
MOUNTING INTERFACE
PATENT NUMBER 8,534,622

USE PIN TO LOCK ON POLE MOUNT



VELCRO USED FOR CABLE MANAGEMENT

BSMU-P-A348-ARM-15S
SIDE ARM-UNIVERSAL-1.5 X 48, WITH STRAIGHT BRACKET



PARTS LIST			
ITEM	QTY	PART NUMBER	DESCRIPTION
1	1	BSM3-P-A352-T00-000	POLE MOUNT-AL3-TWO WAY
2	1	BSMU-P-A348-ARM-15S	SIDE ARM-UNIVERSAL-1.5 X 48, WITH STRAIGHT BRACKET

WEIGHT
5.0Lbs / 2.3Kg

BlueSky Mast, Inc.
1515 Gunn Hwy
Odessa, FL 33556
www.blueskymast.com
sales@blueskymast.com

Phone: 877-411-6278
CAGE: 3JWX5

BLUESKY MAST®
elevating solutions™

TITLE
STRAIGHT ARM KIT-AL3-1.5 X 36, SINGLE ARM

PART NUMBER
BSM3-K-A351-S48-150-DATA

REV
1

(c) Copyright 2005-13 Allendale, LLC All Rights Reserved. This specification is subject to change without notice. DRAWING SCALE NONE, DIMENSIONS IN INCHES.

SHT 1 OF 1