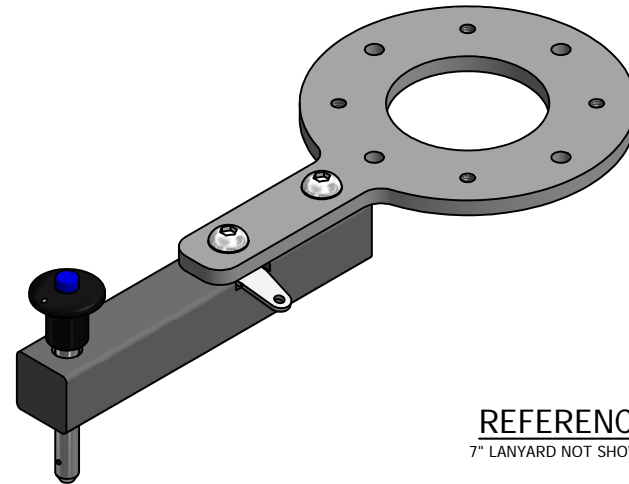
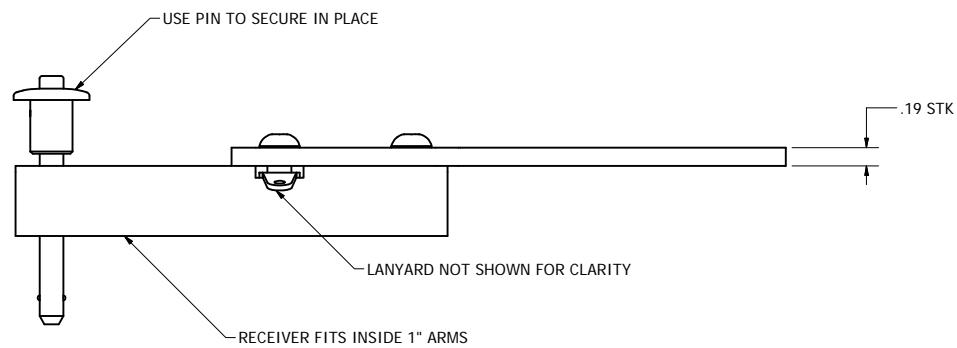


TOP VIEW



REFERENCE VIEW
7" LANYARD NOT SHOWN FOR CLARITY



<p>WEIGHT 0.5Lbs / 0.2Kg</p>	<p>BLUESKY MAST[®] <i>elevating solutionsSM</i></p>	
<p>BlueSky Mast, Inc. 1515 Gunn Hwy Odessa, FL 33556 www.blueskymast.com sales@blueskymast.com</p> <p>Phone: 877-411-6278 CAGE: 3JWX5</p>	<p>TITLE SIDE MOUNT-100 ARM-ANTCOM GPS</p> <p>PART NUMBER BSM2-A-M450-MPP-EMO</p> <p>(c) Copyright 2005-13 Allendale, LLC All Rights Reserved. This specification is subject to change without notice. DRAWING SCALE NONE. DIMENSIONS IN INCHES.</p>	
	<p>REV 1</p>	<p>SHT 1 OF 1</p>